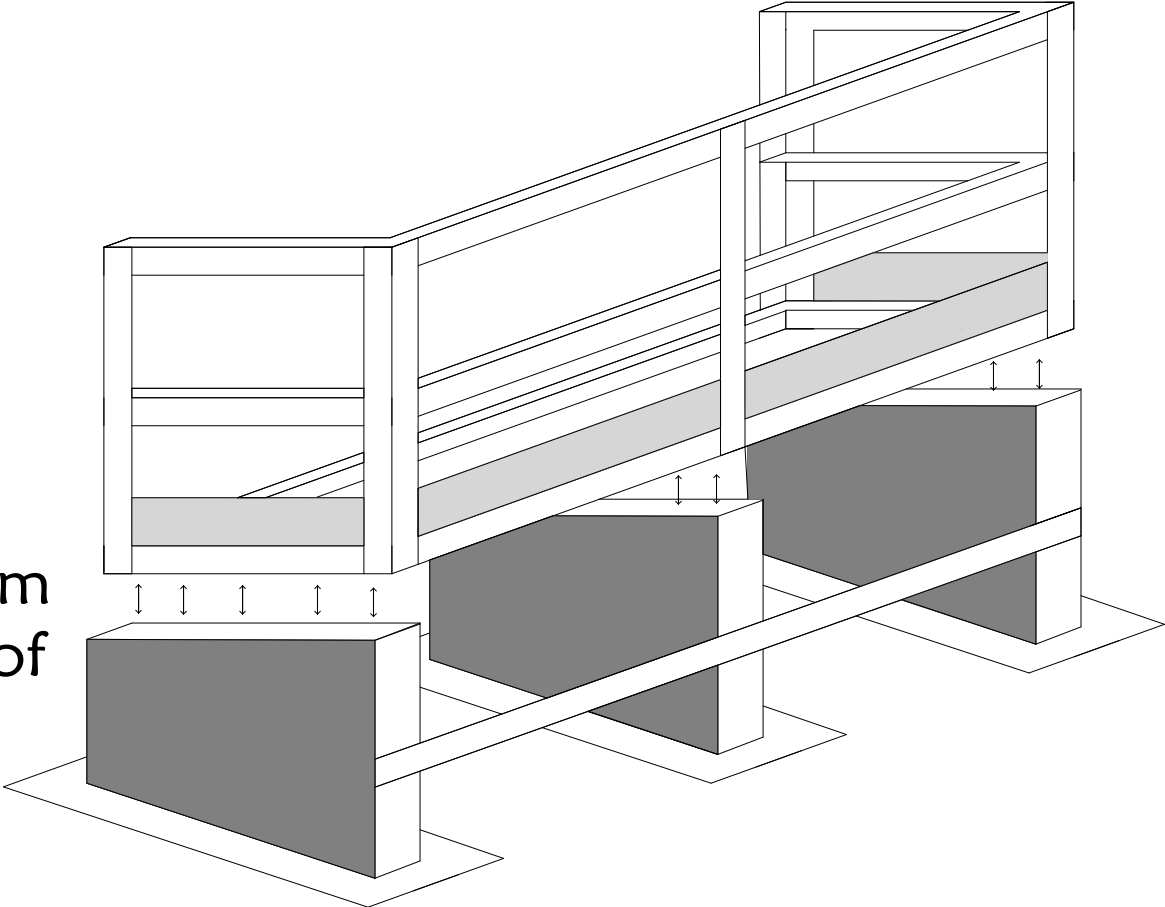


<b>Kitchen Stainless Hoods</b>		
P.O. Box 8018 Canton, Ohio 44711 1-877-455-7577	ANR	
	Model #	

# New Pedestal Platform

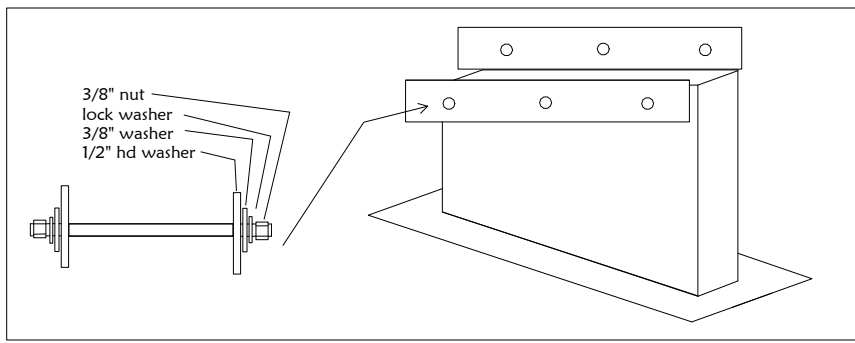
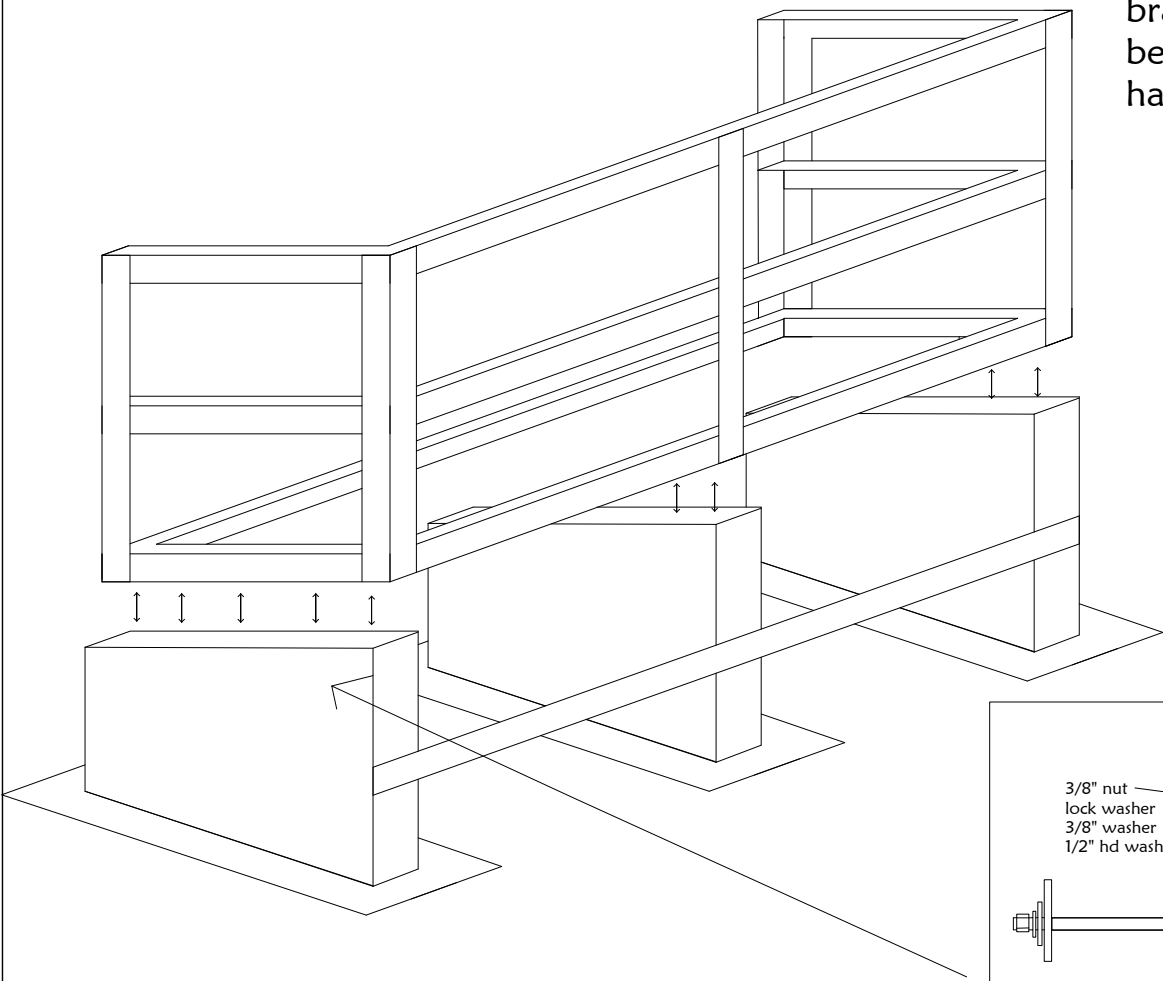
Prefabricated with custom stainless steel rails. All platforms come with our Tool Guard Kick Plates to prevent dropped items from falling or being kicked off of the platform.



Ideal for shingled, metal seam or PDM pitched roofs. They offer great support as well as easy installation. With our pedestal platforms there is no need for expensive flashing boots. Pedestals are constructed of 16g stainless steel and welded liquid tight at all seams.

<b>Kitchen Stainless Hoods</b>		
		Attach detail
	P.O. Box 8018 Canton, Ohio 44711 1-877-455-7577	ANR Model #

Uncarton units and set on ground. Turn the top unit (no legs) up side down. Insert the shorter end of pedestals into predrilled slots with the short side facing the open side of platform. Using provided hardware, bolt pedestals to platform as shown. Attach brace to front and back of pedestals as shown below. Mount platform to roof using supplied hardware. Please see attachment detail 2.



# Kitchen Stainless Hoods

P.O. Box 8018  
Canton, Ohio 44711  
1-877-455-7577

	Attach detail 2
ANR	
Model #	

- 1/2" hd washer
- 3/8" washer
- 3/8" nut
- lock washer
- 3/8" nut

